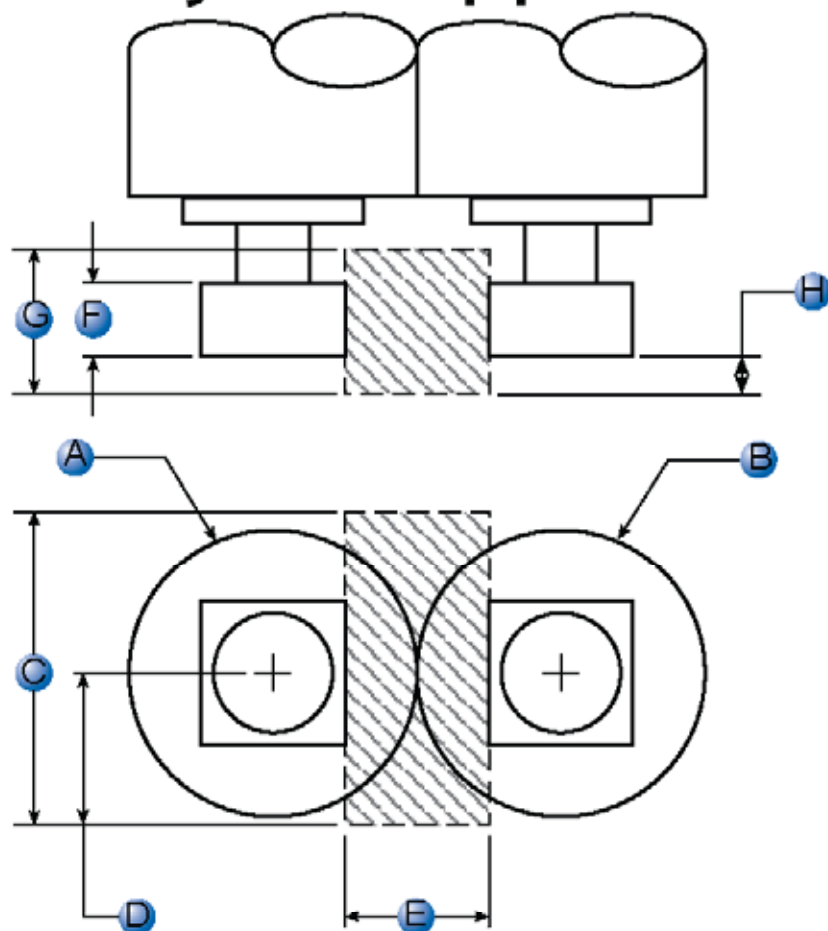


# MicroAdjuster Application Sheet



<input type="checkbox"/>	<b>A</b> Fixed roller diameter	
<input type="checkbox"/>	<b>B</b> Moving roller diameter	
<input type="checkbox"/>	<b>C</b> Max. space for MicroAdjuster	
<input type="checkbox"/>	<b>D</b> Distance from end of MicroAdjuster to Roll Center	
<input type="checkbox"/>	<b>E</b> Min. distance (nip closed, rolls touching)	
<input type="checkbox"/>	<b>F</b> Bearing cap width	
<input type="checkbox"/>	<b>G</b> Max. space (width) for MicroAdjuster	
<input type="checkbox"/>	<b>H</b> Space from end of MicroAdjuster to bearing cap	
<input type="checkbox"/>	Max. roll gap	<input type="checkbox"/> <b>Control Preference (check)</b>
<input type="checkbox"/>	Min. roll gap	<input type="checkbox"/> Manual knob
<input type="checkbox"/>	Max. nip force	<input type="checkbox"/> Open loop automatic
<input type="checkbox"/>	Min. nip force	<input type="checkbox"/> Closed loop automatic

Coaters

Laminators

Unwinds

Rewinds

Dryers

Slitters



ConQuip, Inc.

11255 Pyrites Way  
 Rancho Cordova, CA 95670  
 916.379.8200  
 Fax 916.379.8201  
 e-mail: sales@conquipinc.com  
 www.conquipinc.com